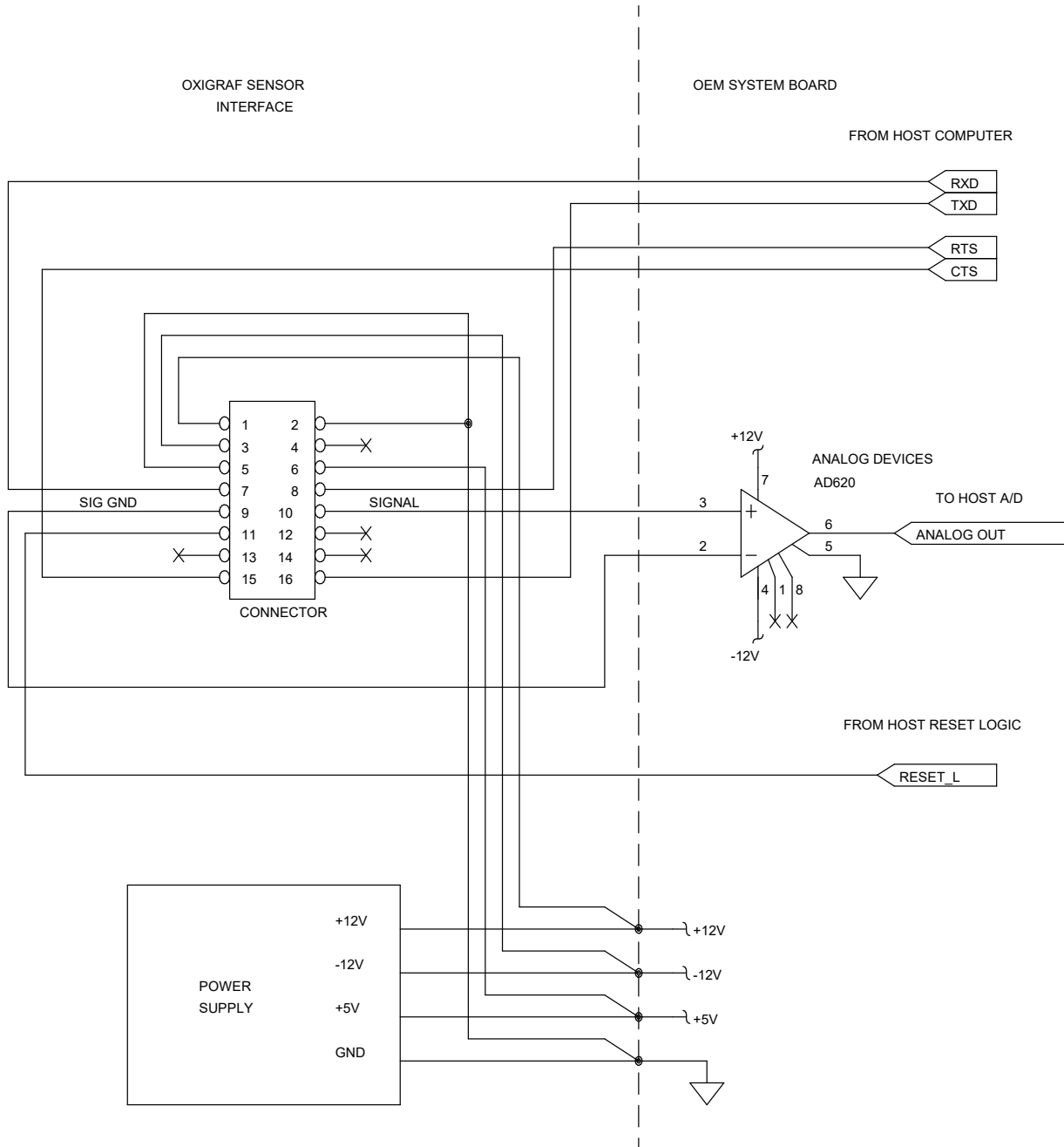




Electrical Interface Schematic, X3003/4 Oxygen Sensor



USE THIS INTERFACE TO ELIMINATE THE EFFECT OF GROUND WIRE VOLTAGE DROP ON THE ANALOG OUTPUT SIGNAL.